

SAIKO

DEPOSITORS OF KEYS,
WEAPONS AND ITEMS

SAIK GUN CATALOG CARD





CONTROLLED CIRCULATION OF KEYS AND OTHER ITEMS

The SAIK depository collects all information on all events involving stored weapons. Every retrieval and return, and other regular and warning events, are permanently recorded in the system and are available in real time or for later inspection.



SAFE CASING

The solid steel construction of the depositories discourages theft attempts, while electronic systems monitoring unit operation ensure increased security even in unattended premises.



TOUCH-SENSITIVE DISPLAY

Users appreciate work with SAIK deposit safes because of the shortened time necessary to collect a key and always up-to-date information as to where a certain key is in a given moment of time and who has collected it. A big and resistant 7 or 10-inch touch-sensitive display provides comfort of work.



VOICE GUIDANCE

A built-in loudspeaker provides voice guidance, thanks to which a deposit safe user knows at every stage of the procedure what to do next. Quite helpful, particularly at the introductory stage of the operation of the system.



ANY GIVEN READER

Possibility to use any proximity card reader or biometric reader. If the card system has already been in operation in the organization, then deposit safes will be equipped with a relevant card reader.



STRENGTHENED PROTECTION

Each device can be manufactured in accordance with the PN-EN 1627:2012 standard in the RC2 resistance class, ensuring increased resistance to burglary. The construction of devices in the RC2 class is tested at the Instytut Mechaniki Precyzyjnej in Warszawa.



WITHOUT LIMITATIONS

Unlimited, multi-station and friendly desktop software. After the purchase of a deposit safe, it will always be functioning without a necessity to bear any additional costs.



EXPANSION









Possibility of expanding the unit with other deposit safes or additional modules operating under control of existing devices.

Technical parameters of SAIK GUN cabinets*



Technical specifications of SAIK GUN cabinets

| | | |
|--|---|--------------------------------------|
| | DIMENSIONS (CABINET AND LOCKERS) | depending on the weapon's quantity |
| | CASE | Steel (possibility RC2/S1 class) |
| | DOORS | Steel with opening sensor |
| | COLOR | RAL 7037 or any from RAL palette |
| | DISPLAY | 7" or 10" touchscreen HD, LCD |
| | PERSONAL ID READER (PROXIMITY CARDS) | depending on the client's needs |
| | NUMBER OF BOXES | depending on the client's needs |
| | GUN IDENTIFICATION* | optical sensor |
| | SYSTEM EXPANSION | YES |
| | MODULAR BUILD | YES |
| | ELECTRICAL SUPPLY | 230V – 50Hz |
| | BATTERY BACKUP | YES, minimum 24h |
| | MAXIMUM POWER CONSUMPTION | 40W |
| | THE METHOD OF CONNECTING SYSTEM ELEMENTS | Ethernet |
| | AMBIENT OPERATING TEMPERATURE RANGE | +5°C to +45°C |
| | RELATIVE HUMIDITY RANGE ENVIRONMENT WHILE WORKING | 5% to 90%, no condensation |
| | ANTI-SABOTAGE PROTECTION | YES |
| | AUTHORIZATION | card and/or PIN, single or double |
| | GUN STORAGE LOCATION | gun storage |
| | EMERGENCY DEPOSIT BOX OPENING / KEY RELEASE | YES |
| | VOICE, TEXT AND GRAPHIC MESSAGES | YES |
| | ADDITIONAL USER PROTECTION WITH A PIN CODE | YES |

| | | |
|---|---|--|
|  | COOPERATION WITH OTHER SYSTEMS (E.G. ALARM SYSTEMS) | YES |
|  | INTERFACE | PL, EN, depending on the client's needs |
|  | MOUNTING METHOD | on the wall/stand (depending on wall material) |
|  | CAMERA | not included as standard, can be installed on request of the customer |
|  | MAX NUMBER OF DOCUMENTS HANDLED BY THE SYSTEM | 2000 |
|  | MAX NUMBER OF EMPLOYEES SUPPORTED BY THE SYSTEM | 5000 |
|  | MAXIMUM NUMBER OF ALLOCATIONS SUPPORTED BY THE SYSTEM | 25000 |
|  | MAXIMUM NUMBER OF TIME ZONES | 500 |

* – possibility of adjusting parameters at the customer's request

1 – possibility of identifying weapons using optical readers in the locker, camera, scales and RFID tags in the weapon.



RC2 BURGLAR RESISTANCE CLASS



SAIK GUN 5 RC2



MOST FREQUENTLY CHOSEN BY
services, security agencies, the
army



SPECIAL FEATURES

the ability to store various types of
handguns and long guns, convenient
retrieval of weapons, sensors
identifying the state of the cache.



SIZES

almost always as the main
module, from 1 weapon in one
device

SAIK GUN

Cabinets for storing all types of small and long weapons. Same purpose, different type of content protection.

Weapons deposited in an individual locker, with space for magazines. Caches tailored to the type of weapon stored. Optical sensors identify the status of the cache (free/occupied), only the person depositing the weapon has access to it. You can choose a device made without a security class (e.g. for weapons warehouses), or with a resistance class of RC2/S1 (increased content protection).

Option: weight (information about the lack of even one round of ammunition in the magazine).

Option: reading information from an RFID tag placed in the weapon (information about a specific weapon/magazine).

Option: a camera taking photos in each locker along with image analysis.





The solution involves depositing specific weapons into a specific locker. Inside, each cache is equipped with optical sensors that can determine whether the item appeared in the hiding place.

RC2 BURGLAR
RESISTANCE
CLASS

SAIK GUN LOCKER RC2
FOR SMALL WEAPON



All data about the person, time, dates of collections and returns are recorded in the system, so you can tell at any time whether a weapon is missing and when it took place.

Additionally, the presence of weapons can be recognized thanks to individual RFID tags and a sensor in the locker..

SAIK GUN GALLERY



SAIK GUN GUN STORAGE
WITH PROFILED DRAWER
WITH OPTICAL AND RFID SENSORS



SAIK GUN GUN STORAGE
WITH OPTICAL AND
WEIGHT SENSORS



SAIK GUN WITH SCALE
+ OPTICAL SENSOR

SAIK GUN SECURITY

VERSION S1 - Weapons compartments placed in an S1 class safe according to the PN-EN 14450 standard, meeting the requirements of the Regulation of the Ministry of Internal Affairs "On the storage, carrying and recording of weapons and ammunition". To get to the gun safe, you must first open the safe.

RC2 VERSION – Guarantees the safety of weapons stored outside weapons warehouses while maintaining the high functionality of the device, without the limitations of safes.



SAIK GUN RC2

RC2 BURGLAR RESISTANCE CLASS



SAIK GUN S1
internal panel and
external case

S1 BURGLAR RESISTANCE CLASS





SAIK GUN 6 S1



S1 BURGLAR RESISTANCE CLASS





USER PANEL



SAIK GUN 8 RC2



SAIK GUN 5 RC2

STANDARD
BURGLAR
RESISTANCE CLASS

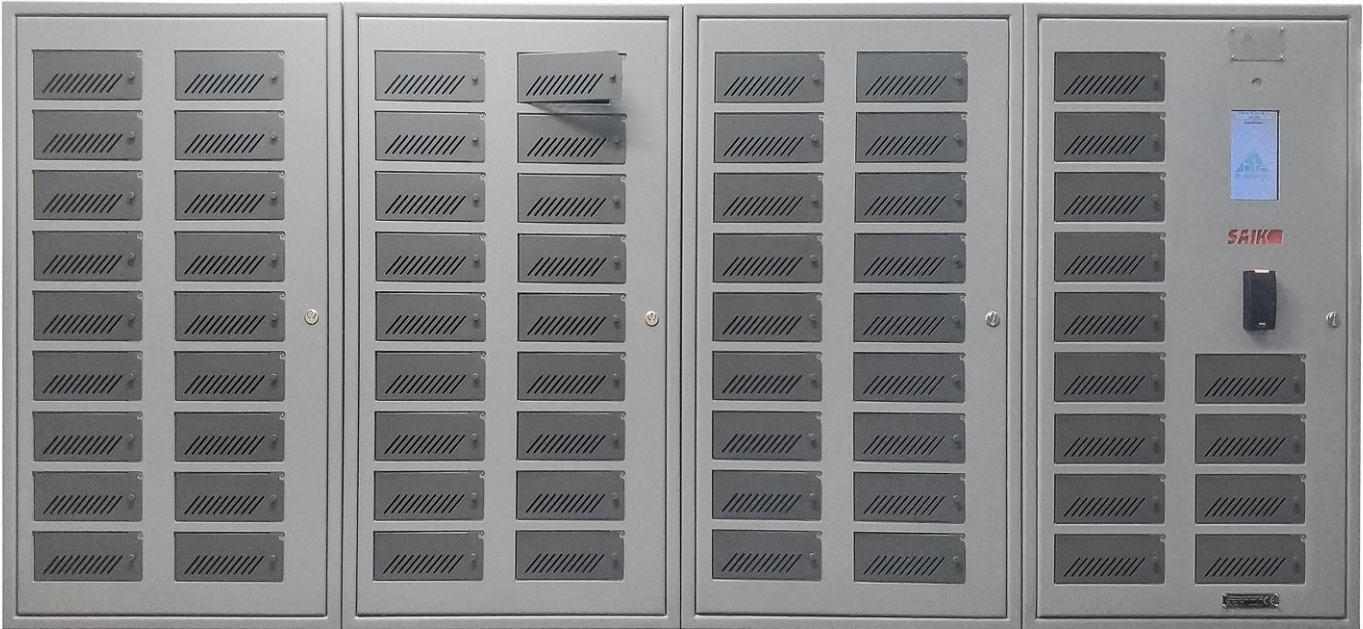


SAIK GUN 30

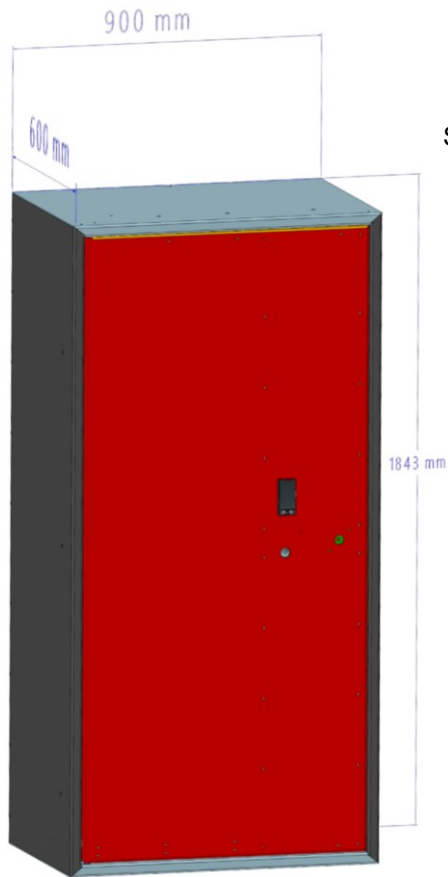


STANDARD GUN
LOCKER

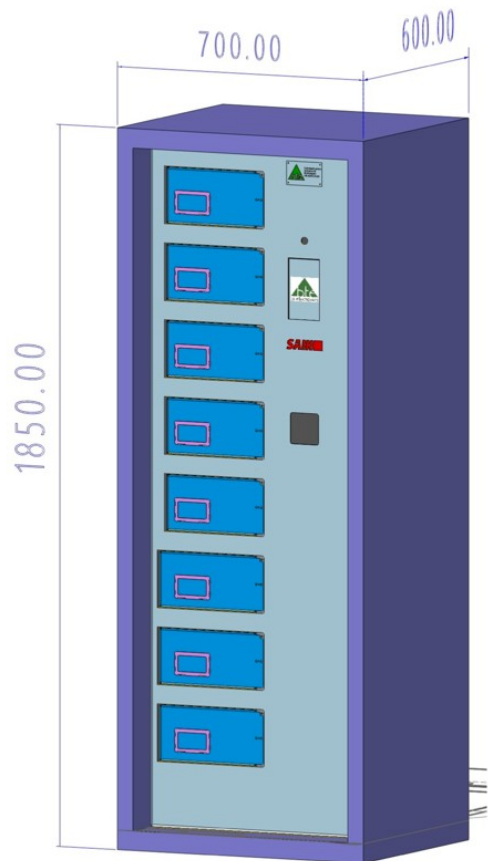
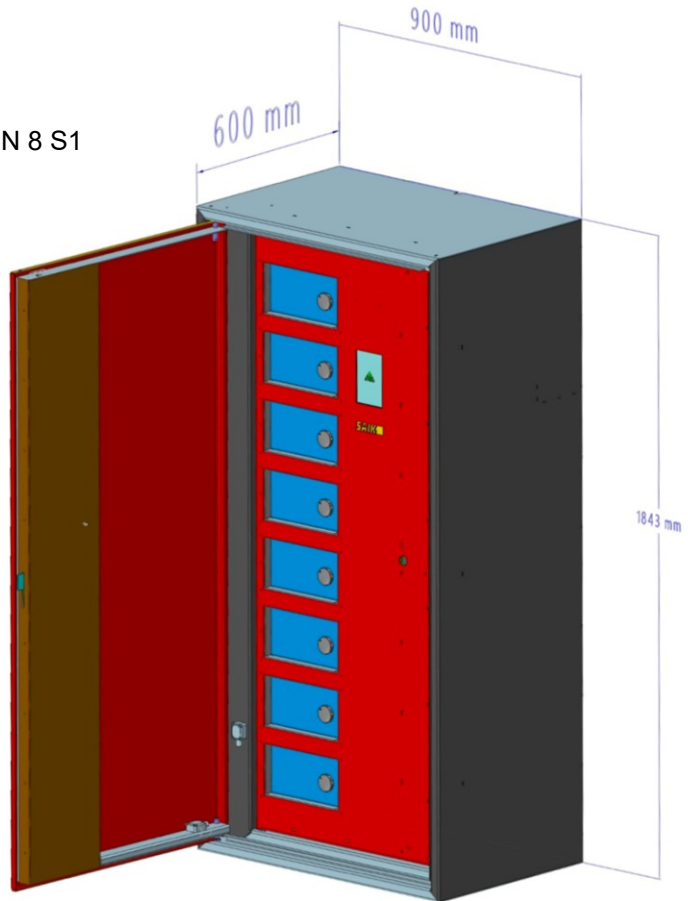
SAIK GUN 66



SAIK GUN TECHNICAL DRAWINGS

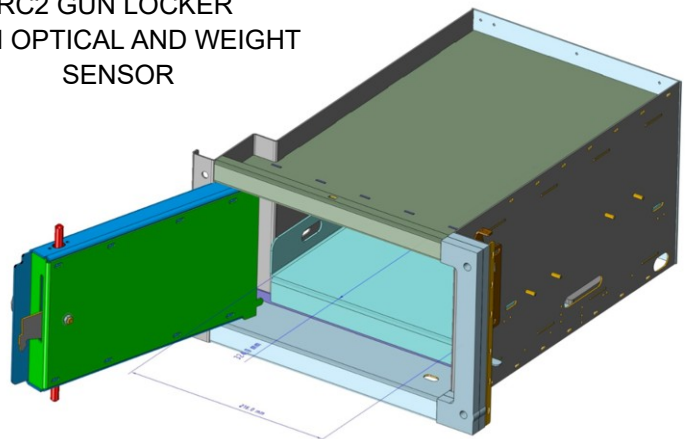


SAIK GUN 8 S1

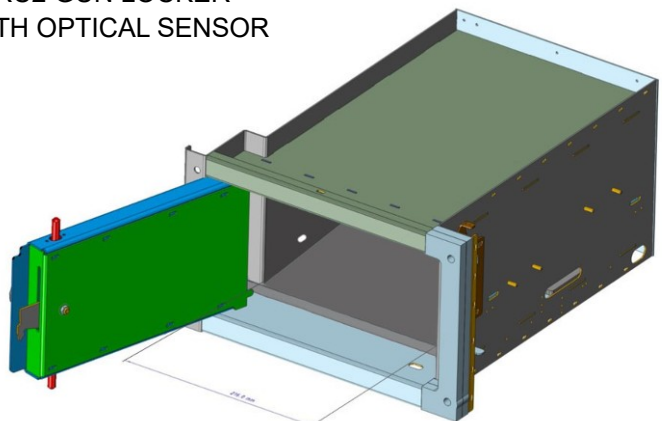


SAIK GUN 8 RC2

RC2 GUN LOCKER
WITH OPTICAL AND WEIGHT
SENSOR



RC2 GUN LOCKER
WITH OPTICAL SENSOR



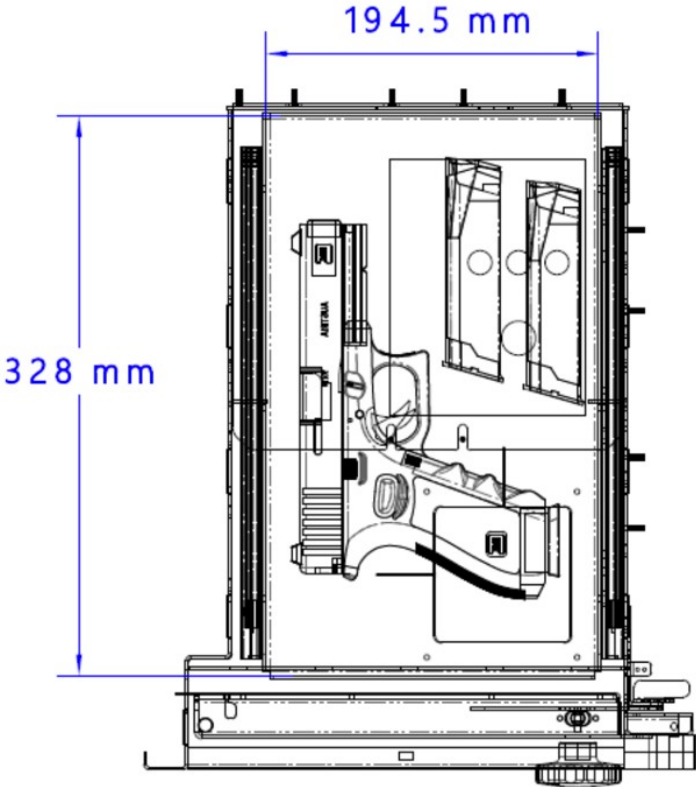
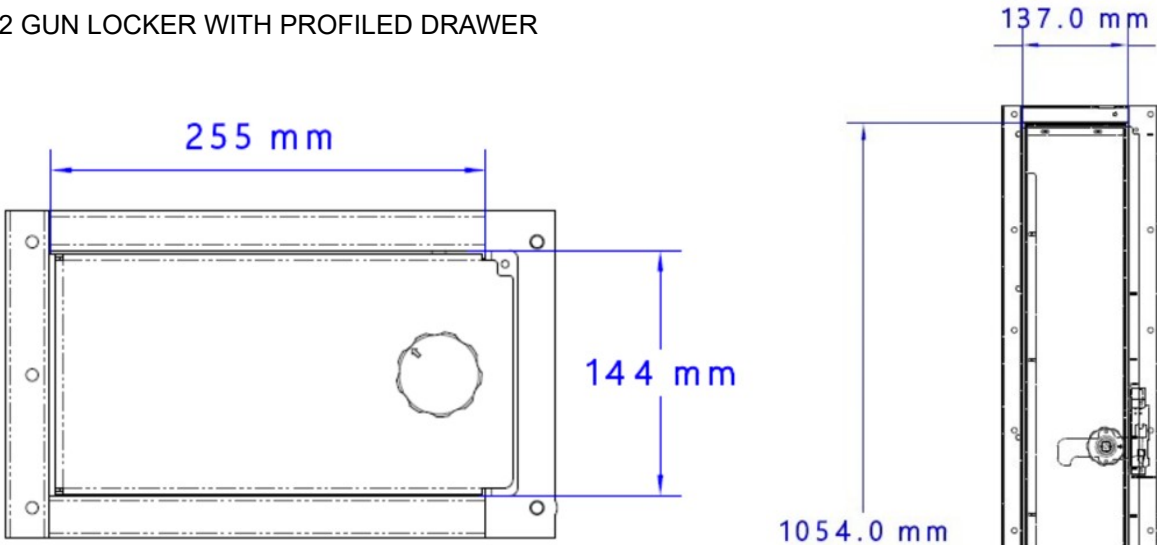


SAIK GUN 30 RC2

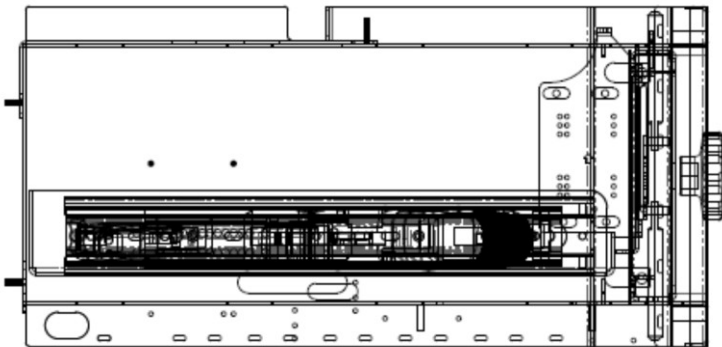
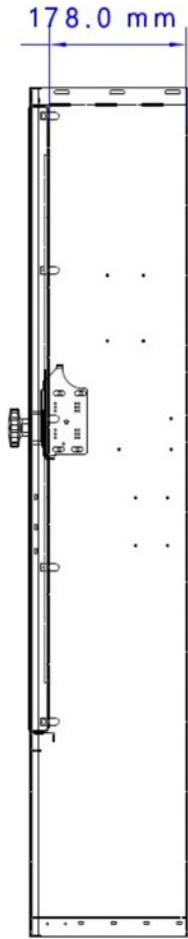


SAIK GUN 40 RC2

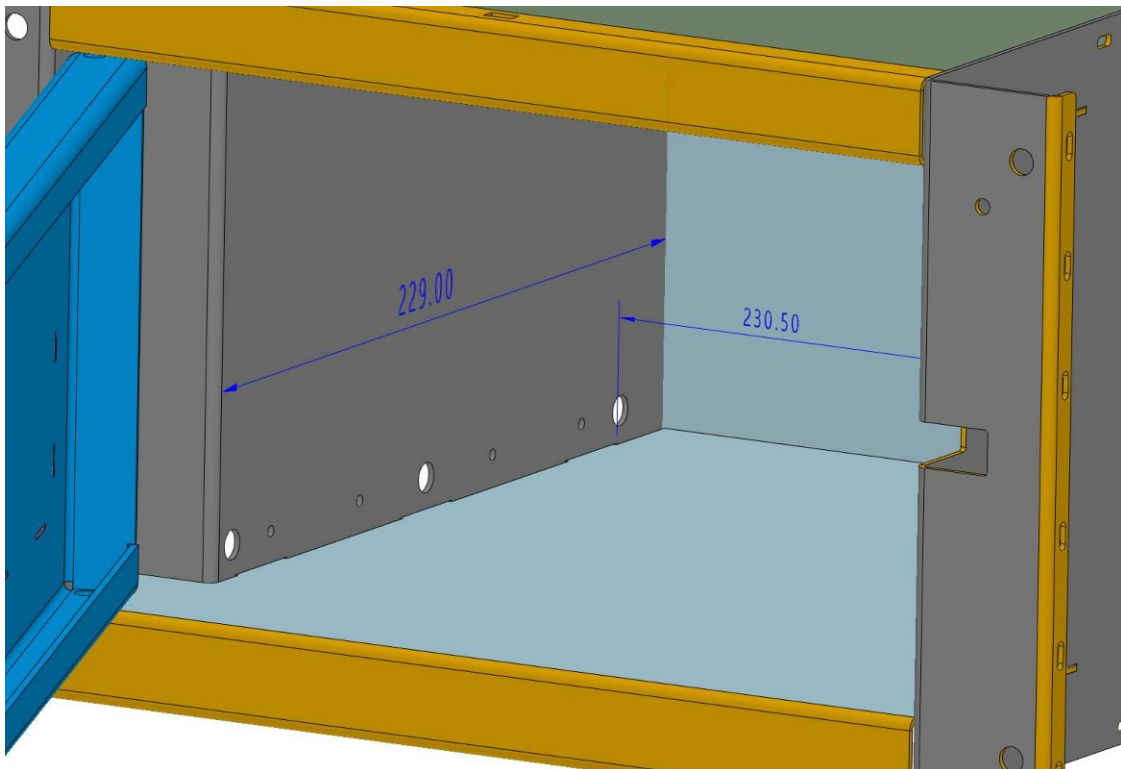
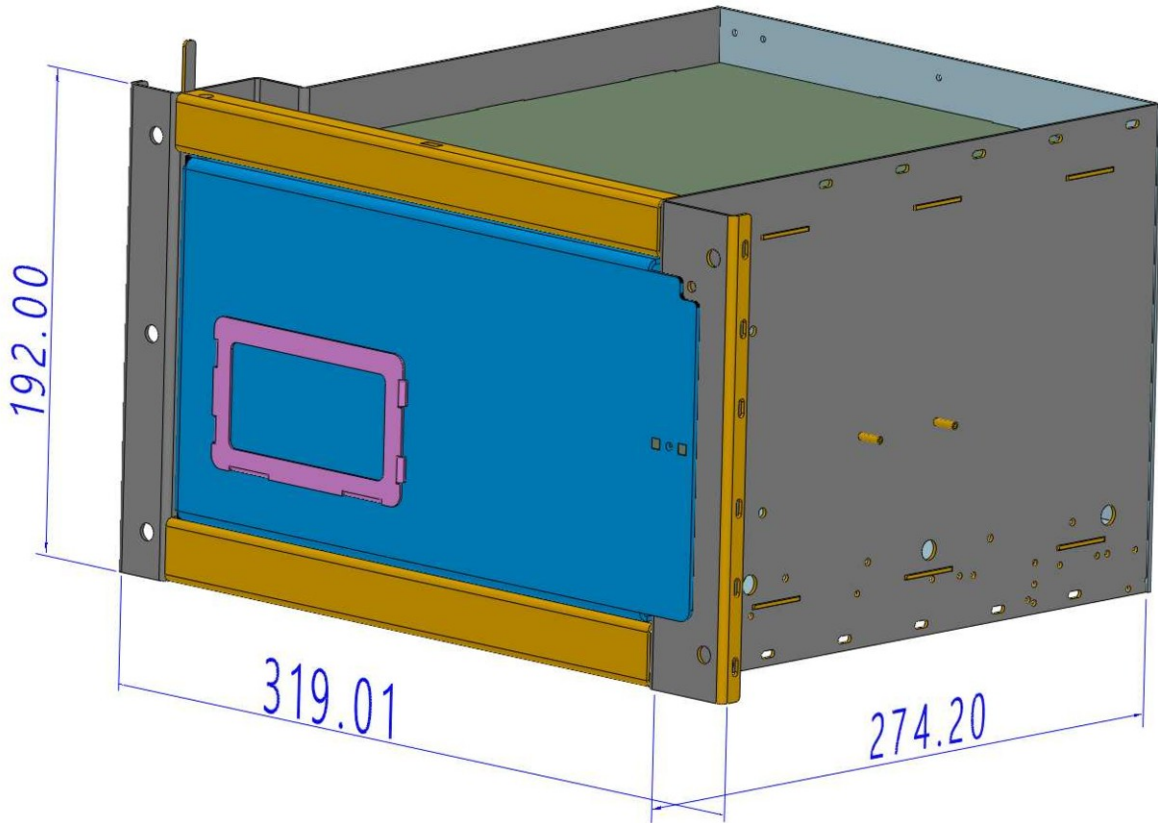
RC2 GUN LOCKER WITH PROFILED DRAWER



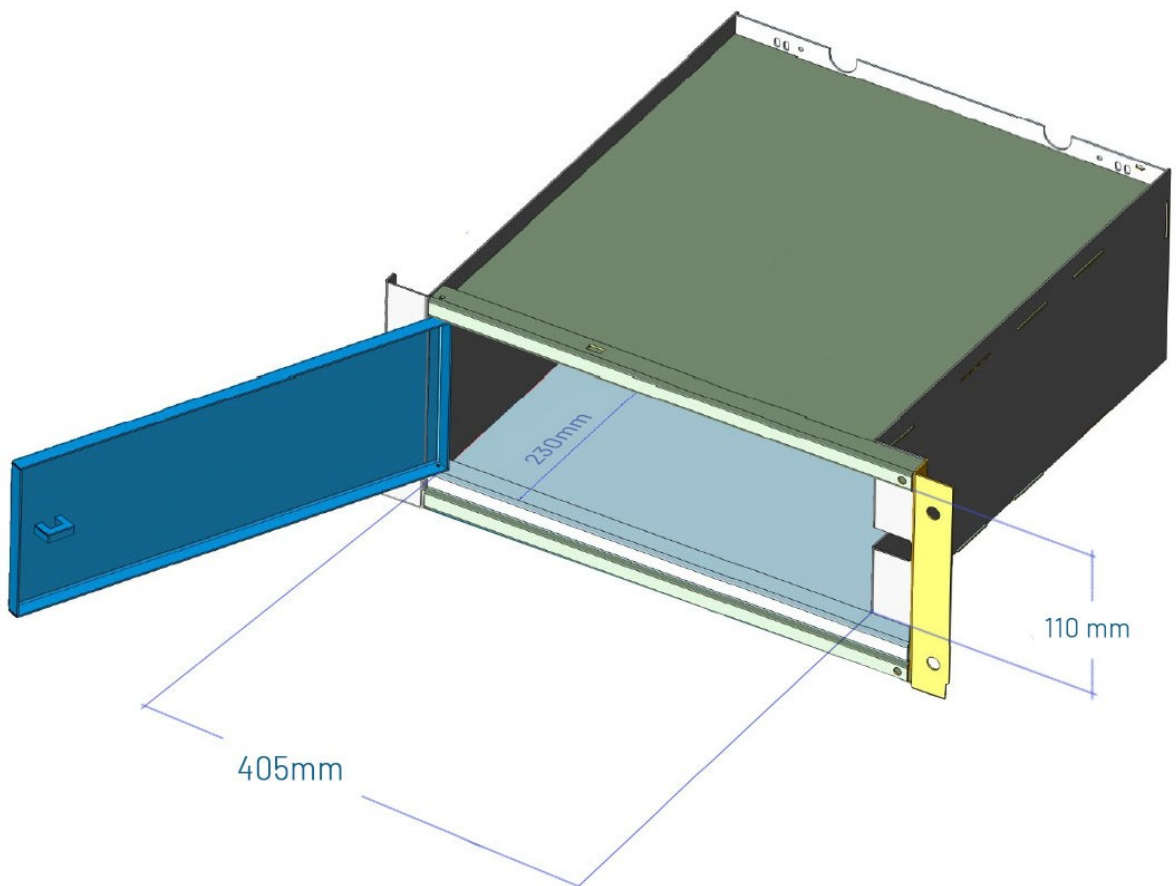
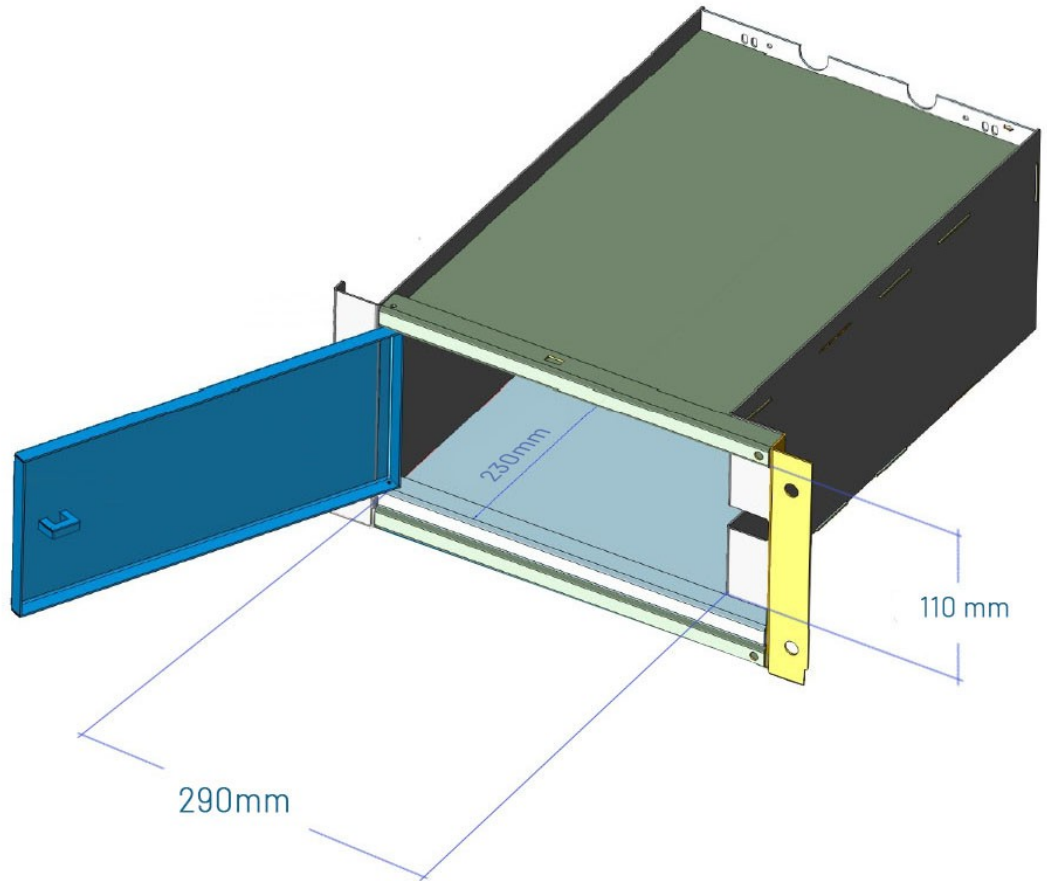
VERTICAL GUN LOCKER FOR LONG WEAPON



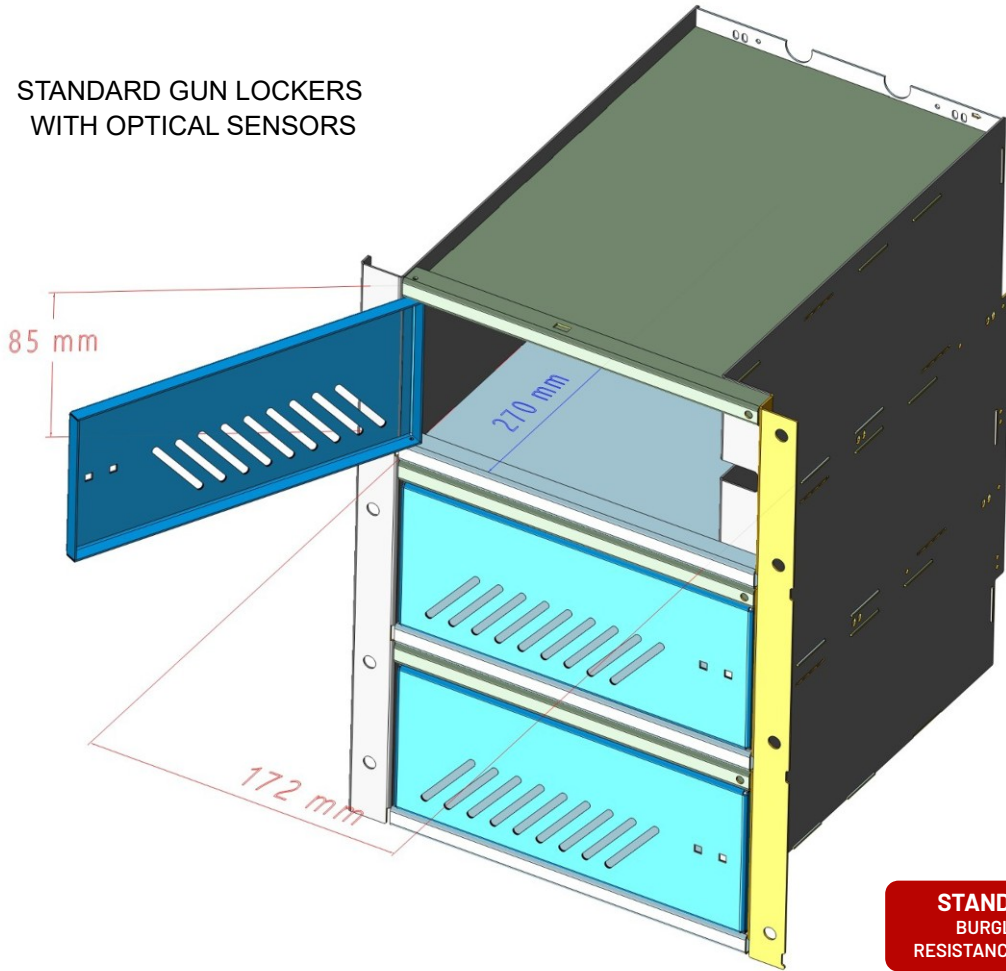
RC2 GUN LOCKERS WITH OPTICAL SENSORS



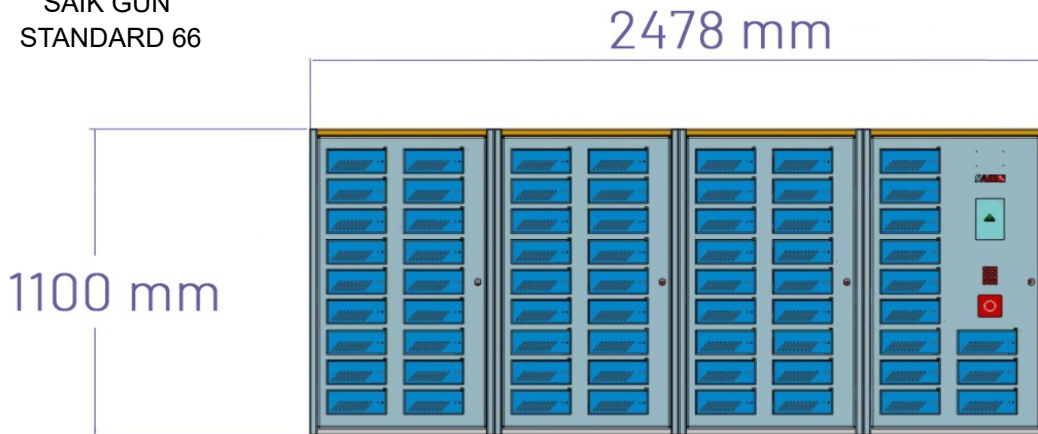
S1 GUN LOCKERS
WITH OPTICAL SENSORS



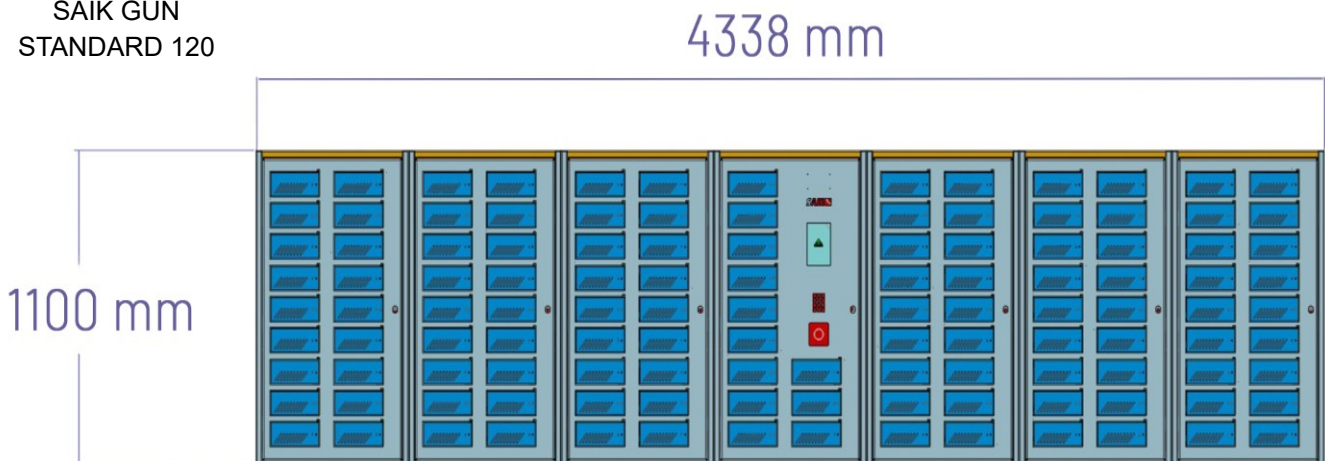
STANDARD GUN LOCKERS
WITH OPTICAL SENSORS



SAIK GUN
STANDARD 66



SAIK GUN
STANDARD 120



SAIK GUN EXPAND

Possibility of expanding the devices with a specific number and type of compartments, as well as expanding them with additional devices working together as part of the SAIK system (not only SAIK GUN).



Cooperation of several SAIK GUN devices within one system.



More on www.saik.pl/EN/for-designers

BT Electronics sp. z o. o.
ul. Rybitwy 22, 30-722 Kraków POLAND

Telephone:
Office tel. (+48) 12 410 20 33,
Service tel. (+48) 12 410 20 32

Email address:
bte@bte.pl - BT Electronics company e-mail
saik@saik.pl - SAIK system
serwis@saik.pl - SAIK system service

www.bte.pl - BT Electronics company website
www.saik.pl - SAIK system website

bt electronics