

SAIKO

CABINETS FOR KEYS,
WEAPONS AND ITEMS

SAIK GUN RC2

CABINETS
CATALOG CARD





CONTROLLED CIRCULATION OF KEYS AND OTHER ITEMS

The SAIK depository collects all information on all events involving stored weapons. Every retrieval and return, and other regular and warning events, are permanently recorded in the system and are available in real time or for later inspection.



SAFE CASING

The solid steel construction of the depositories discourages theft attempts, while electronic systems monitoring unit operation ensure increased security even in unattended premises.



TOUCH-SENSITIVE DISPLAY

Users appreciate work with SAIK deposit safes because of the shortened time necessary to collect a key and always up-to-date information as to where a certain key is in a given moment of time and who has collected it. A big and resistant 7 or 10-inch touch-sensitive display provides comfort of work.



VOICE GUIDANCE

A built-in loudspeaker provides voice guidance, thanks to which a deposit safe user knows at every stage of the procedure what to do next. Quite helpful, particularly at the introductory stage of the operation of the system.



ANY GIVEN READER

Possibility to use any proximity card reader or biometric reader. If the card system has already been in operation in the organization, then deposit safes will be equipped with a relevant card reader.



STRENGTHENED PROTECTION

Each device can be manufactured in accordance with the PN-EN 1627:2012 standard in the RC2 resistance class, ensuring increased resistance to burglary. The construction of devices in the RC2 class is tested at the Instytut Mechaniki Precyzyjnej in Warszawa.



WITHOUT LIMITATIONS

Unlimited, multi-station and friendly desktop software. After the purchase of a deposit safe, it will always be functioning without a necessity to bear any additional costs.



EXPANSION













Possibility of expanding the unit with other deposit safes or additional modules operating under control of existing devices.

Technical parameters of SAIK GUN RC2 cabinets



Technical specifications of SAIK GUN RC2 cabinets

	EXTERNAL DIMENSIONS OF THE CABINET (height x width x depth) [mm]	1850 x 700 x 600
	INTERNAL DIMENSIONS OF THE STORAGE (height x width x depth) [mm]	144 x 194,5 x 328
	CASE	Steel / RC2 class / PN-EN 1627:2012 standard
	BOX DOOR	RC2 class / PN-EN 1627:2012 standard
	PANEL	RC2 class / PN-EN 1627:2012 standard
	COLOR	RAL 7037 or any from RAL palette
	DISPLAY	7" or 10" touchscreen HD, LCD
	PERSONAL ID READER (PROXIMITY CARDS)	depending on the client's needs
	NUMBER OF BOXES	depending on the client's needs
	GUN IDENTIFICATION*	optical sensor¹ WEIGHT sensor / RFID for gun, QR for magazines (depending on the client's needs)
	SYSTEM EXPANSION	YES
	MODULAR BUILD	YES
	ELECTRICAL SUPPLY	230V – 50Hz
	BATTERY BACKUP	YES, minimum 24h
	MAXIMUM POWER CONSUMPTION	40W
	THE METHOD OF CONNECTING SYSTEM ELEMENTS	Ethernet
	AMBIENT OPERATING TEMPERATURE RANGE	+5°C to +45°C
	RELATIVE HUMIDITY RANGE ENVIRONMENT WHILE WORKING	5% to 90%, no condensation
	ANTI-SABOTAGE PROTECTION	YES
	AUTHORIZATION	card and/or PIN, single or double

	GUN STORAGE LOCATION	gun storage
	EMERGENCY DEPOSIT BOX OPENING / KEY RELEASE	YES
	VOICE, TEXT AND GRAPHIC MESSAGES	YES
	ADDITIONAL USER PROTECTION WITH A PIN CODE	YES
	COOPERATION WITH OTHER SYSTEMS (E.G. ALARM SYSTEMS)	YES
	INTERFACE	depending on the client's needs
	MOUNTING METHOD	on the wall/stand (depending on wall material)
	CAMERA	not included as standard, can be installed on request of the customer
	MAX NUMBER OF DOCUMENTS HANDLED BY THE SYSTEM	2000
	MAX NUMBER OF EMPLOYEES SUPPORTED BY THE SYSTEM	5000
	MAXIMUM NUMBER OF ALLOCATIONS SUPPORTED BY THE SYSTEM	25000
	MAXIMUM NUMBER OF TIME ZONES	500

* – possibility of adjusting parameters at the customer's request

1 – possibility of identifying weapons using optical readers in the locker, camera, scales and RFID tags in the weapon.



RC2 BURGLAR RESISTANCE CLASS



MOST FREQUENTLY CHOSEN BY
services, security agencies, the army



SPECIAL FEATURES
the ability to store various types of handguns and long guns, convenient retrieval of weapons, sensors identifying the state of the cache.



SIZES
almost always as the main module, from 1 weapon in one device

SAIK GUN RC2

Depository adapted to store handguns. The presence of weapons is recognized by the optical beam intersection sensor. In addition, the presence of weapons can be recognized thanks to individual RFID tags and a sensor in the locker.

OPTICAL SENSOR, WEIGHT SENSOR
OR RFID READER INSIDE STORAGE

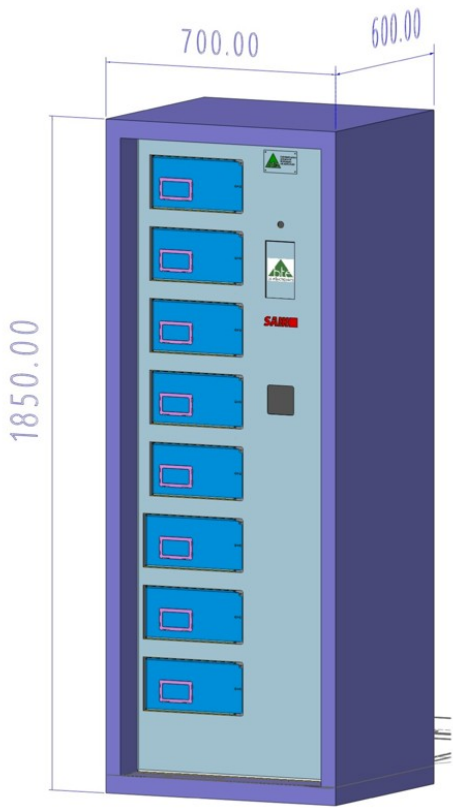
RC2 BURGLAR
RESISTANCE
CLASS



The solution provides for depositing specific weapons into a specific cache. Inside, each locker is equipped with optical sensors that can determine whether an item has appeared in the locker.

All data about the person, time, dates of collections and returns are registered in the system, thanks to which it is possible to determine at any time whether the weapon is missing and when it took place.

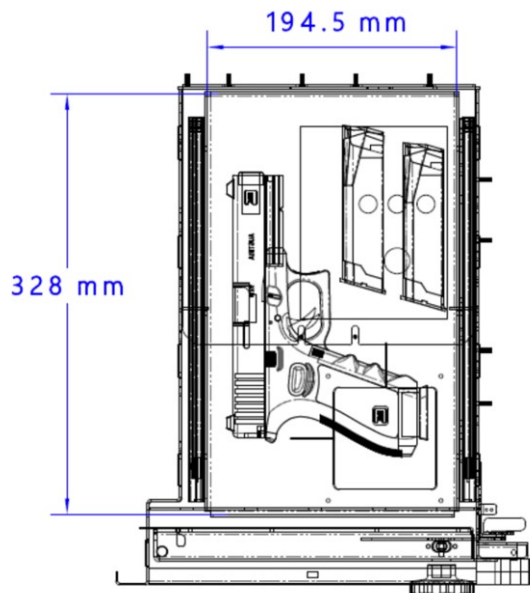
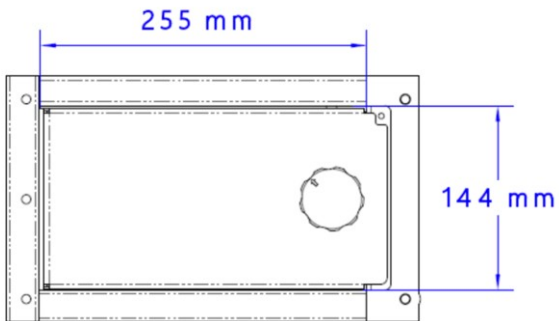




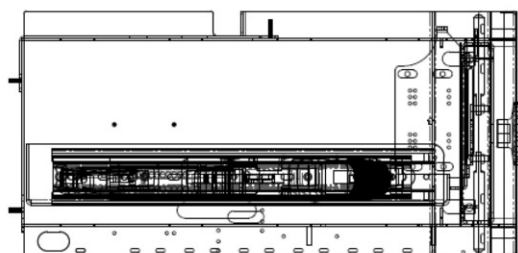
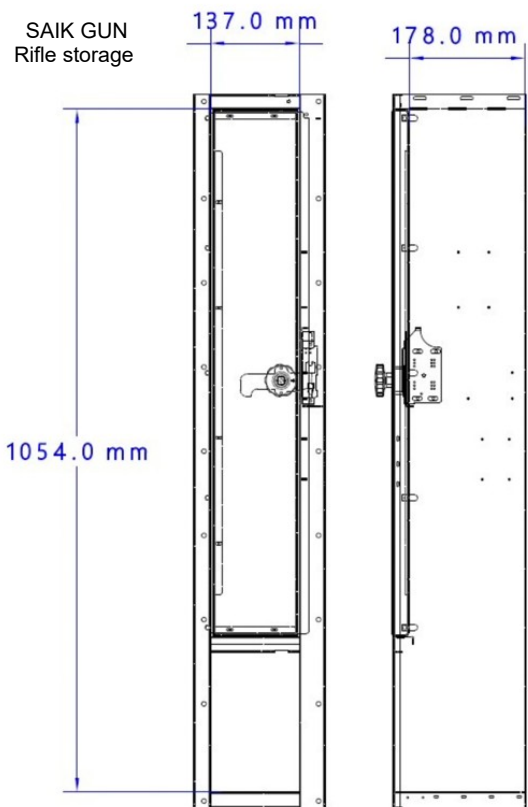
SAIK GUN RC2 (8 storages)



SAIK GUN RC2 - 30 storages



SAIK GUN technical drawings of the gun locker with profiled drawer



SAIK GUN STORAGE

The equipment of the box can be adapted to your needs.

Option: weight (information about the lack of even one round of ammunition in the magazine).

Option: reading information from an RFID tag placed in the weapon (information about a specific weapon/magazine).

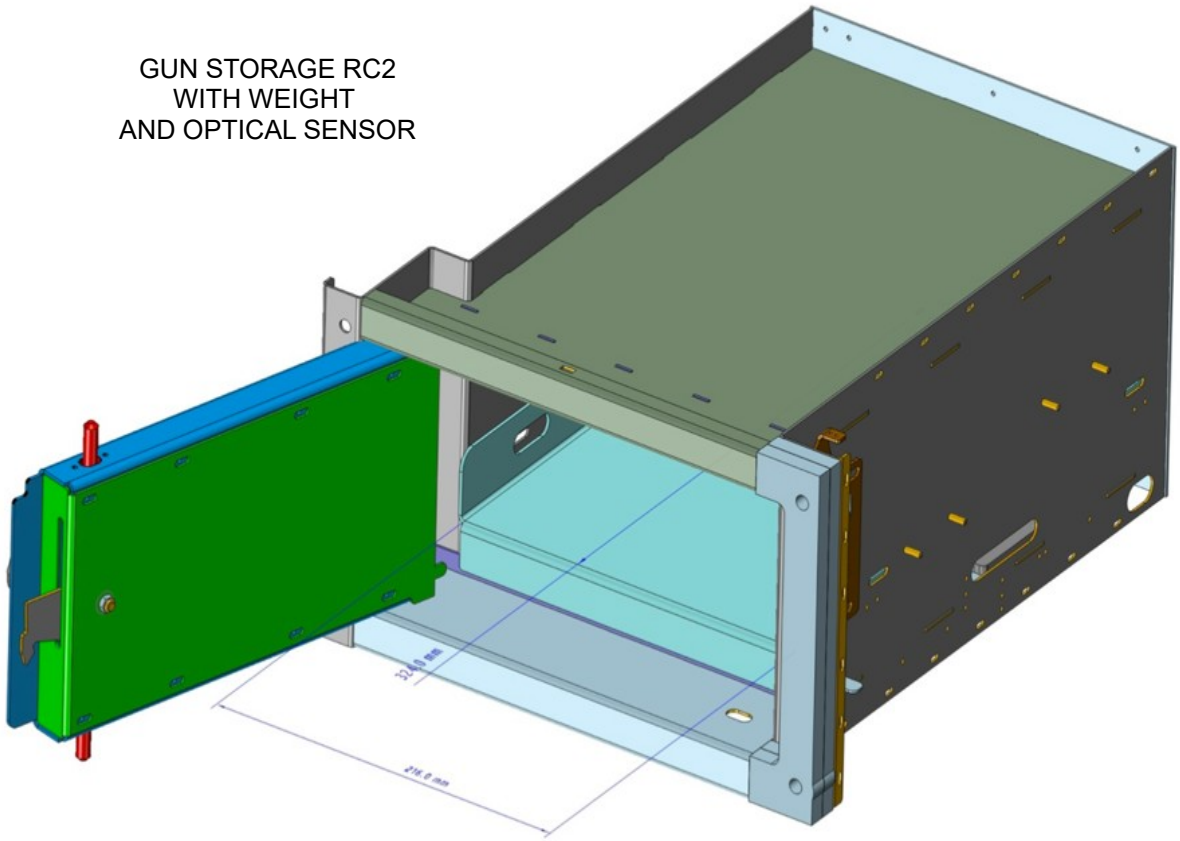
Option: A profiled pull-out drawer with space for weapon and magazines increases the comfort of access



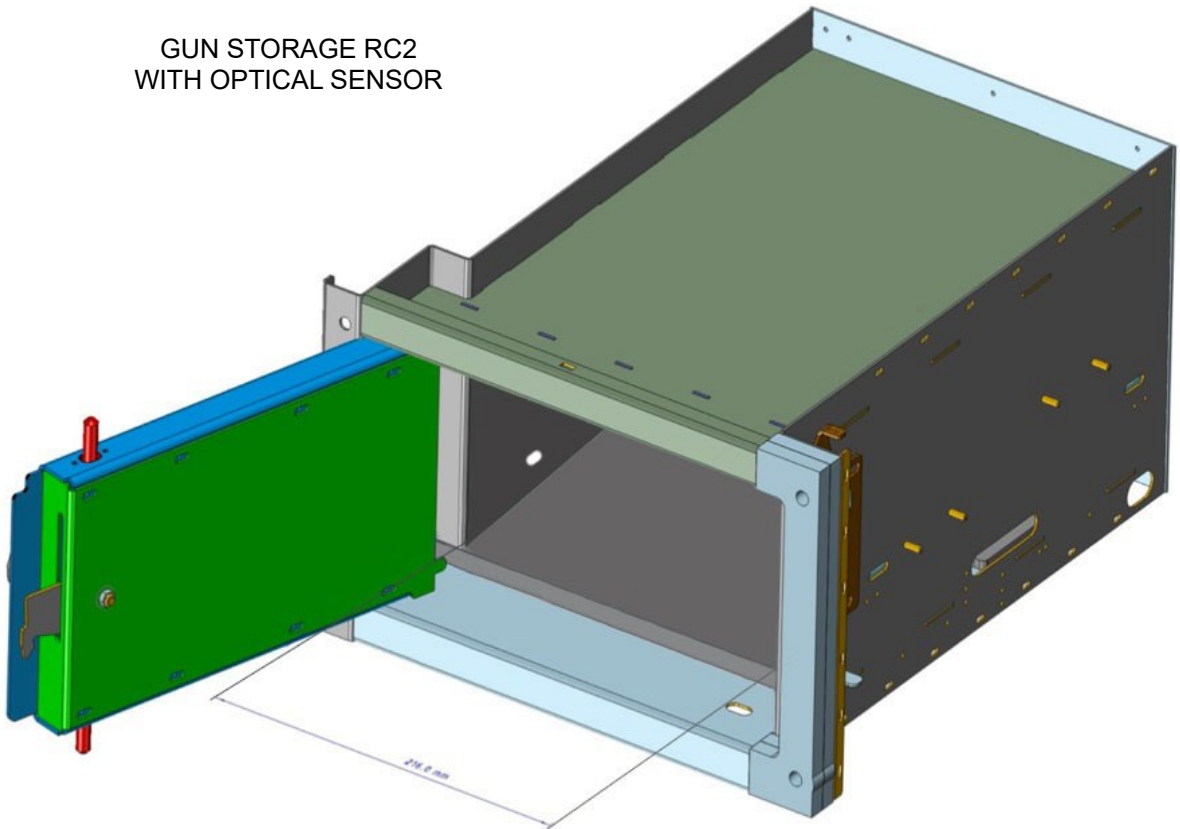
Option: a camera taking photos in each cache along with image analysis.



GUN STORAGE RC2
WITH WEIGHT
AND OPTICAL SENSOR



GUN STORAGE RC2
WITH OPTICAL SENSOR



SAIK GUN EXPAND

Possibility of expanding the devices with a specific number and type of compartments, as well as expanding them with additional devices working together as part of the SAIK system (not only SAIK GUN).

Cooperation of several SAIK GUN devices within one system.

SAIK GUN RC2
System of 5 gun cabinets



BT Electronics sp. z o. o.
ul. Rybitwy 22, 30-722 Kraków POLAND

Telephone:
Office tel. (+48) 12 410 20 33,
Service tel. (+48) 12 410 20 32

Email address:
bte@bte.pl - BT Electronics company e-mail
saik@saik.pl - SAIK system
serwis@saik.pl - SAIK system service

www.bte.pl - BT Electronics company website
www.saik.pl - SAIK system website

SAIK

